

Fusion

GLDS 52"H Refrigerated Service Case

Structural Concepts®

(Lengths do not include 1-1/8" end panels)

- **GLDS4R** 48-3/4"L x 47-7/8"D x 51-5/8"H
- **GLDS5R** 60-5/8"L x 47-7/8"D x 51-5/8"H
- **GLDS6R** 73-1/8"L x 47-7/8"D x 51-5/8"H
- **GLDS8R** 97-1/2"L x 47-7/8"D x 51-5/8"H
- **GLDS12R** 146-1/4"L x 47-7/8"D x 51-5/8"H

Included

- Integrated average product temperature of 40°F or less
- LED top light
- Lift-up front glass
- One year parts & labor; 5 year compressor warranty
- Remote DX refrigeration
- Stainless steel rear exterior



GLDS4R

Specify	Standard Features	Additional Options
EXTERIOR COLOR	• Powder coated (stock colors, specify RAL#)	• Laminated (non-premium) Confirm pattern/grain direction • Stainless steel
INTERIOR COLOR	• Black powder coated	• Stainless steel
LOWER FRONT PANEL COLOR	• Black powder coated	• Stainless steel
TRIM COLOR	• Black	• Silver
BASE	• Rail system for shims (remote)	• Casters w/ levelers (self-cont.)
BUMPER FRONT	• 1" Boston bumper (specify color)	• 1" Stainless steel plate rail bumper
DISPLAY	• None	• 2"H Full depth display riser(s)
END PANELS	• None (specify per line-up)	• Cutaway w/ glass (LH / RH) • End bumper (LH / RH) • Full w/stainless steel interior (LH / RH)
FRONT GLASS	• Curved	• Flat angled
REAR LEDGE	• Black Sanalite®	• Stainless steel
SCALE STAND	• None	¹ • Scale stand w/ receptacle & CAT5 (specify location) ¹ • Scale stand w/ receptacle (specify location)
PRICE TAG MOLDING	• None	• 1" Price tag molding (black or silver) • Universal price tag molding (clear w/ open top)
LIGHTS	• LED 3500K w/ frosted lens	• LED 4000K w/ frosted lens
ELECTRICAL CONNECT	• Electrical leads (remote)	• 6' Locking power cord (self-cont.) • 6' Straight blade power cord (self-cont.)
REFRIGERATION	• Remote DX refrigeration	² • Breeze w/EnergyWise s/c refrigeration • Remote w/thermostat, solenoid & TXV
SENSOR	• None	• CPC discharge air sensor (remote) • Danfoss discharge air sensor (remote)
MISCELLANEOUS		• Front glass lock • Rear door lock
ACCESSORIES		• Clean Sweep® coil cleaner (n/a w/remote) • Drain strainer • Stainless steel condiment rail system

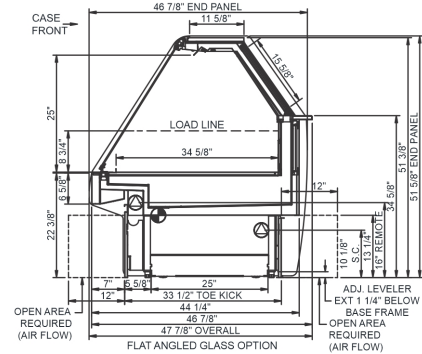
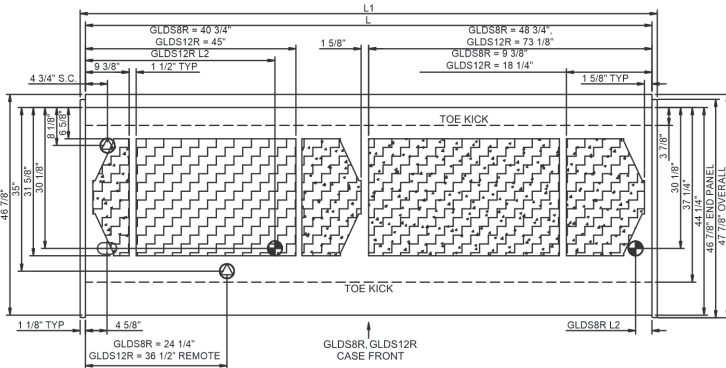
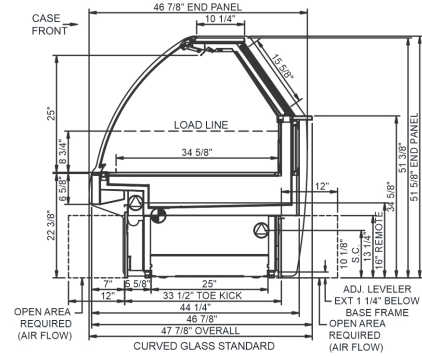
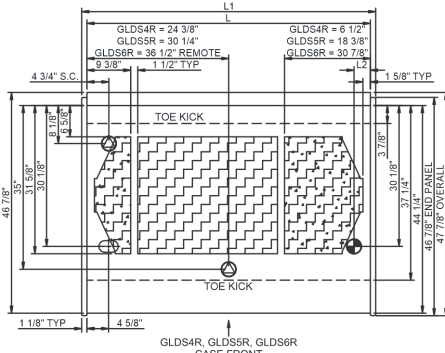
Option Notes: 1 - Separate circuit required
2 - N/A on 10ft, 12ft

Intended Environment: Type I - Designed to operate in ambient conditions of 75°F with 55% relative humidity unless noted otherwise in system information below.

Zone	Intended Product To Be Displayed	Warmest Avg Prod Temp ° F
1	Unpackaged refrigerated products	40

PLAN VIEW

SIDE VIEW



NOTE: ALL DIMENSIONS APPROXIMATE

- ELECTRICAL JUNCTION BOX (SUPPLIED WITH 6" LEADS OR POWER CORD).**
- REFRIGERATION LINE CONNECTION.**
- SELF-CONTAINED CASE SERVICE ACCESS AREA.**
- LOCATION OF DRAIN TUBE FOR REMOTE REF. ONLY (SUPPLIED WITH 3/4" OR 1/2" PVC TUBE).**
- REMOTE FLOOR SINK & UTILITIES ACCESS AREA.**
- DRY CASE SERVICE ACCESS AREA.**

Model Technical Specifications

Model	L"	L1"	L2"	System Circuit Volts		Phs	Freq	Amps ***	Watts	Wires	NEMA Plug	SST	Conv. Rack BTUH	Para. Rack BTUH	Est Wt	
GLDS4R	48.75	51.00	3.50	Remote(Type I)	Circuit #1	110-120	1	60	1.53	106	2+G	Leads Multiple	20.00	1179	1092	1,050
				Remote(Type I)	Circuit #1	110-120	1	60	1.53	106	2+G	Leads Multiple	20.00	1179	1092	
				Self-Contained (R513A)	Circuit #1	110-120	1	60	10.06	758	2+G	5-20P or L5-20P	N/A	N/A	N/A	
GLDS5R	60.63	62.88	3.50	Remote(Type I)	Circuit #1	110-120	1	60	1.99	168	2+G	Leads Multiple	-	1566	1450	1,150
				Remote(Type I)	Circuit #1	110-120	1	60	1.99	168	2+G	Leads Multiple	20.00	1568	1452	
				Self-Contained (R513A)	Circuit #1	110-120	1	60	14.62	1,008	2+G	5-20P or L5-20P	N/A	N/A	N/A	
GLDS6R	73.13	75.38	3.50	Remote(Type I)	Circuit #1	110-120	1	60	2.29	82	2+G	Leads Multiple	-	1771	1640	1,250
				Remote(Type I)	Circuit #1	110-120	1	60	2.29	82	2+G	Leads Multiple	20.00	1771	1640	
				Self-Contained (R513A)	Circuit #1	110-120	1	60	14.91	1,045	2+G	5-20P or L5-20P	N/A	N/A	N/A	
GLDS8R	97.50	99.75	3.50	Remote(Type I)	Circuit #1	110-120	1	60	2.29	216	2+G	Leads Multiple	20.00	2268	2100	1,400
				Remote(Type I)	Circuit #1	110-120	1	60	2.29	216	2+G	Leads Multiple	20.00	2268	2100	
				Self-Contained (R449A)	Circuit #1	110-120	1	60	16.00	1,440	2+G	5-20P or L5-20P	N/A	N/A	N/A	
GLDS12R	146.25	148.50	45.13	Remote(Type I)	Circuit #1	110-120	1	60	3.12	294	2+G	Leads Multiple	-	3456	3200	2,150
				Remote(Type I)	Circuit #1	110-120	1	60	3.12	294	2+G	Leads Multiple	20.00	3456	3200	

*** Does not include electric defrost on freezer models.

Regulatory Approvals:

All Models
 Accordance with AHRI Std 1200
 ETL Listed to UL 471
 ETL Listed to CAN/CSA 22.2 No. 120
 UL Sanitation to NSF Std 7



In Accordance with
AHRI Std 1200

DOE 2017
 Energy Efficiency
 Compliant

Important Notes:

- ELECTRICAL NOTE: If GFCI is required, a GFCI breaker MUST be used in lieu of a GFCI receptacle.
- 50" minimum door entry clearance required (without shipping skid).
- Units must be shimmed during installation to ensure the unit is level and plumb.

⚠ WARNING: This product can expose you to chemicals, including Urethane (Ethyl Carbamate), which are known to the State of California to cause cancer and birth defects or other reproductive harm. For more information go to www.P65Warnings.ca.gov.